

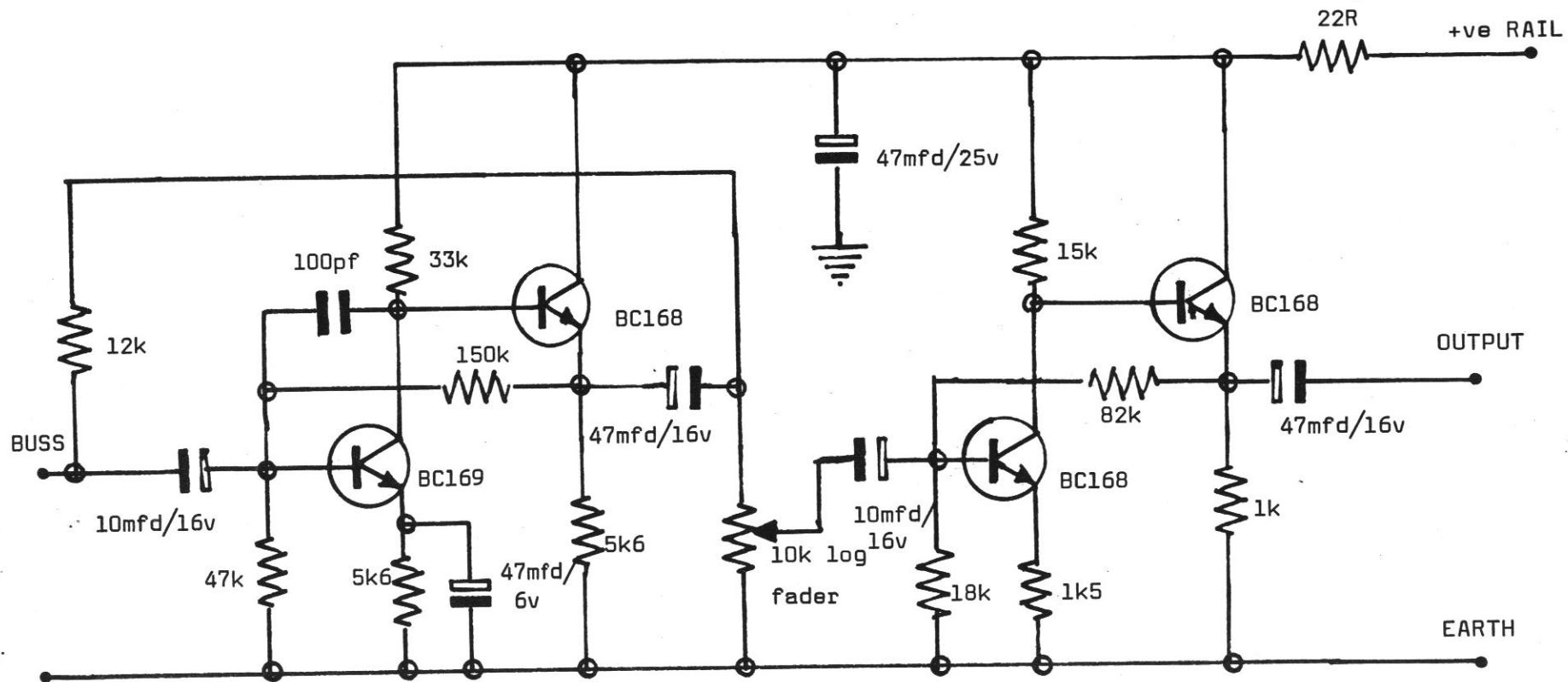
Allen and Heath Limited.

Pembroke House, Campsbourne Road.
London. N8, 7BR. Tel: 01-340-3291.

QUASI INPUT - AMPLIFIER SECTION

Drawg No.; 1050

A.S. Boga
4.8.73



Allen and Heath Limited.

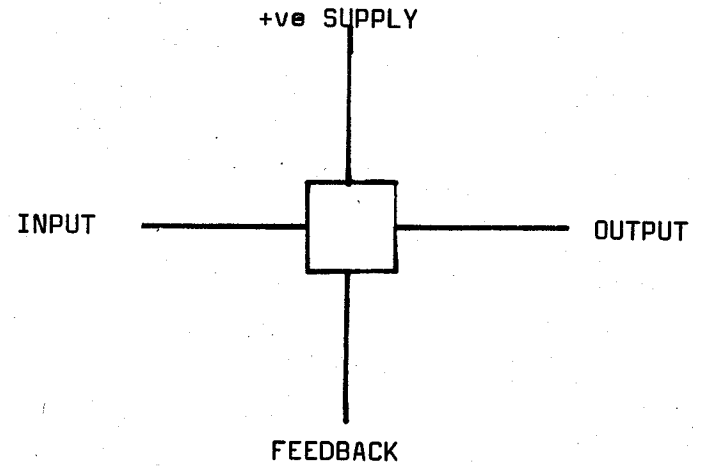
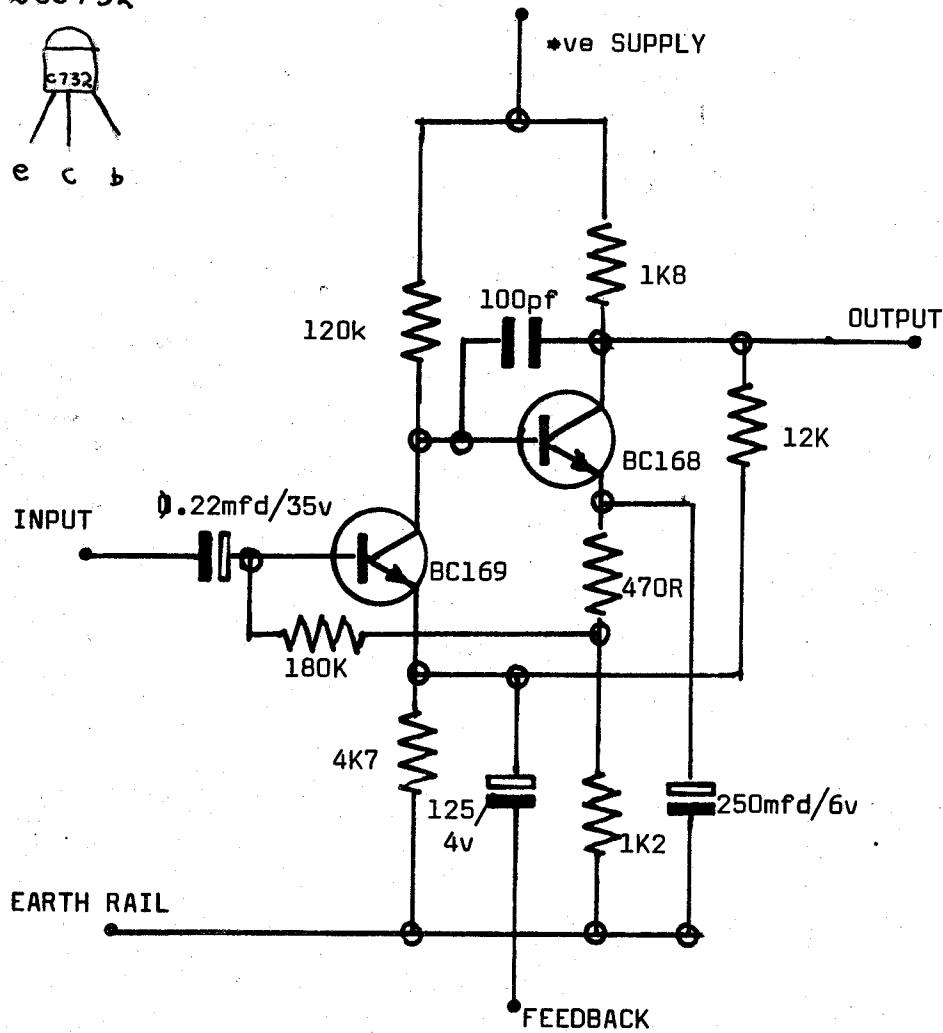
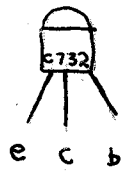
Pembroke House, Campsbourne Road.
London. N8, 7BR. Tel: 01-340-3291.

QUASI MIX/OUTPUT AMPLIFIER

Drwg No.; 1052

A.J. Baya
4.8.73

25C732



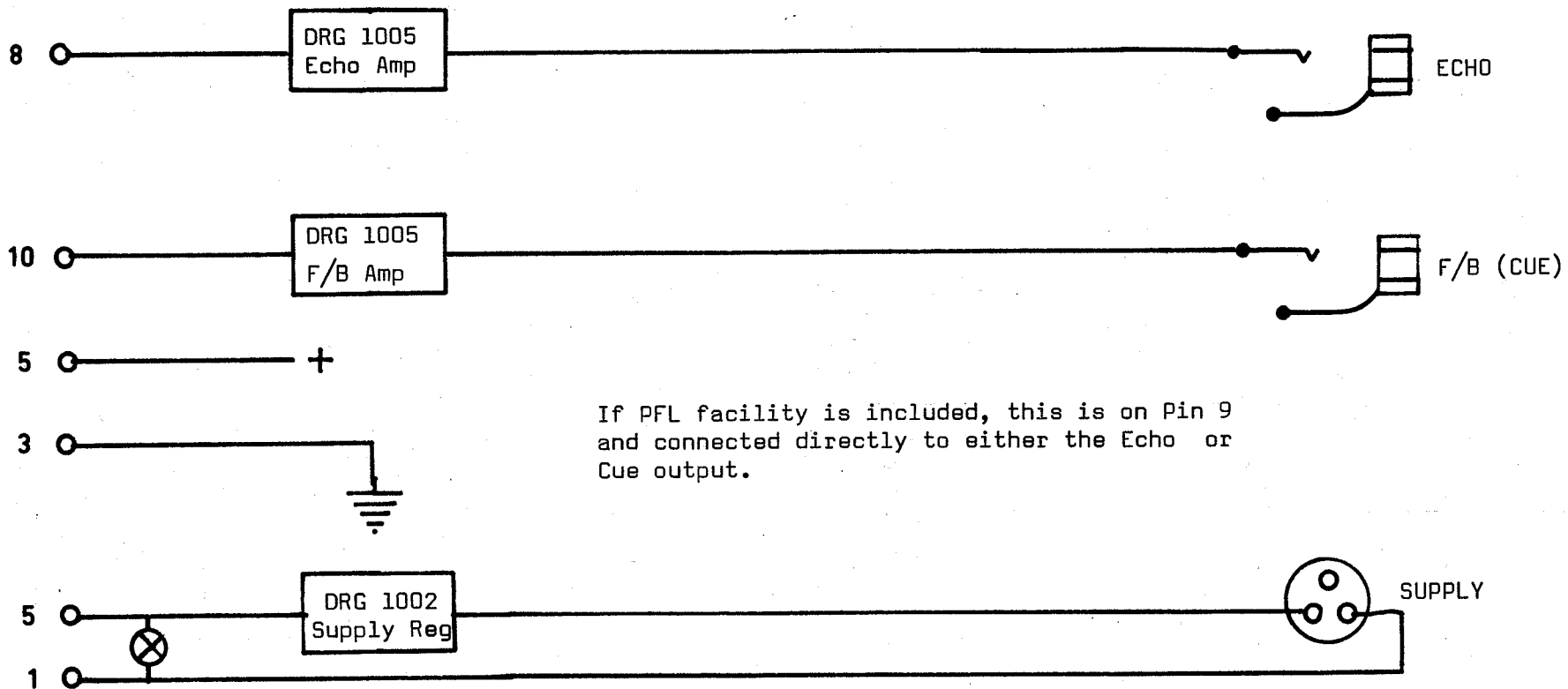
In all drawings the MA1 circuit is represented by the square shown above, with four connections always in the same sense
EARTH connection not shown.

Allen and Heath Limited.

Pembroke House, Campsbourne Road.
London. N8, 7BR. Tel: 01-340-3291.

MICROPHONE AMPLIFIER MA1

Drwg. No. ; 1001



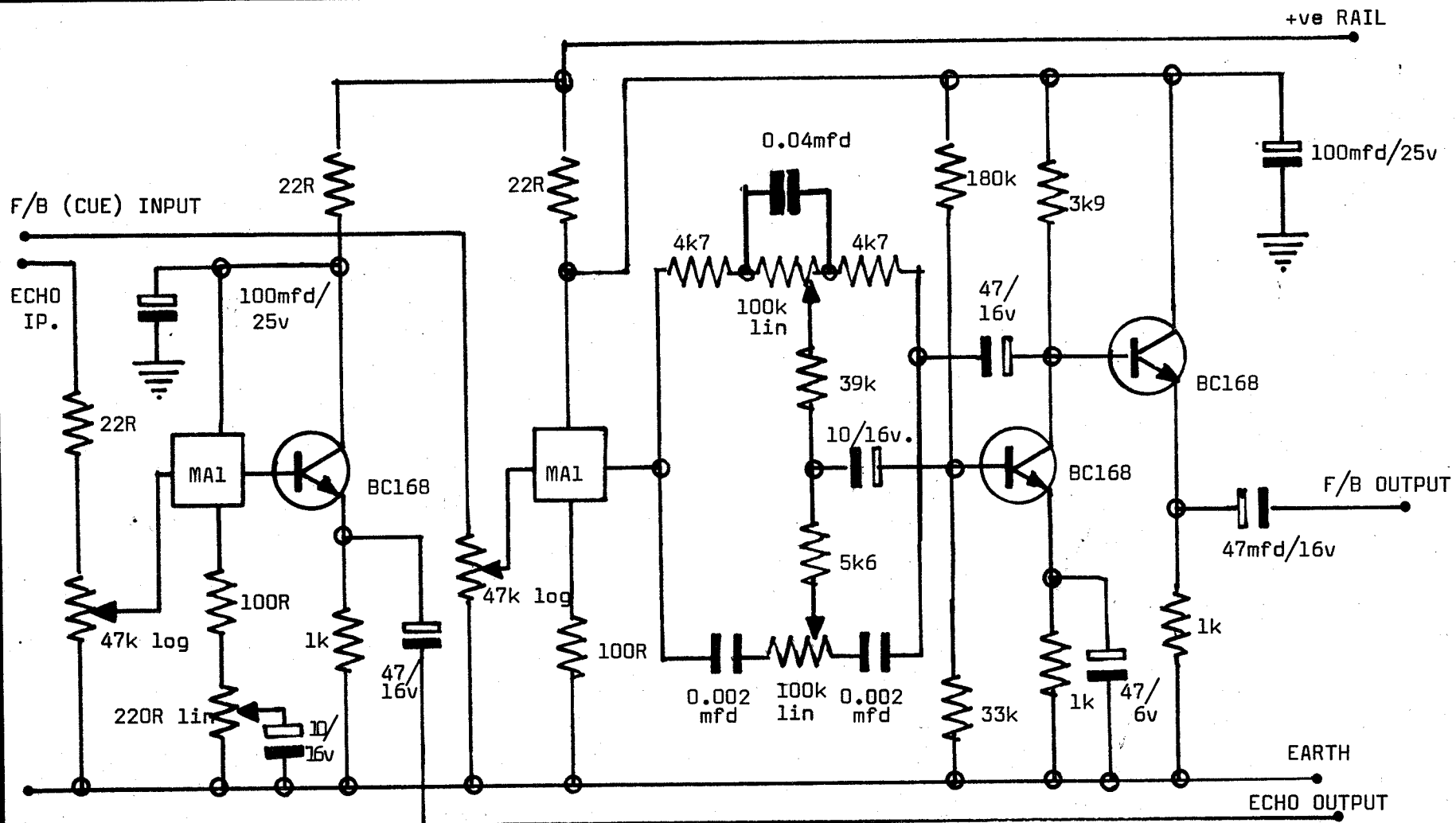
Allen and Heath Limited.

Pembroke House, Campsbourne Road.
London. N8, 7BR. Tel: 01-340-3291.

ECHO/FOLDBACK/REGULATOR MODULE

Drwg No.; 1019

A.J. Baya
4.8.73



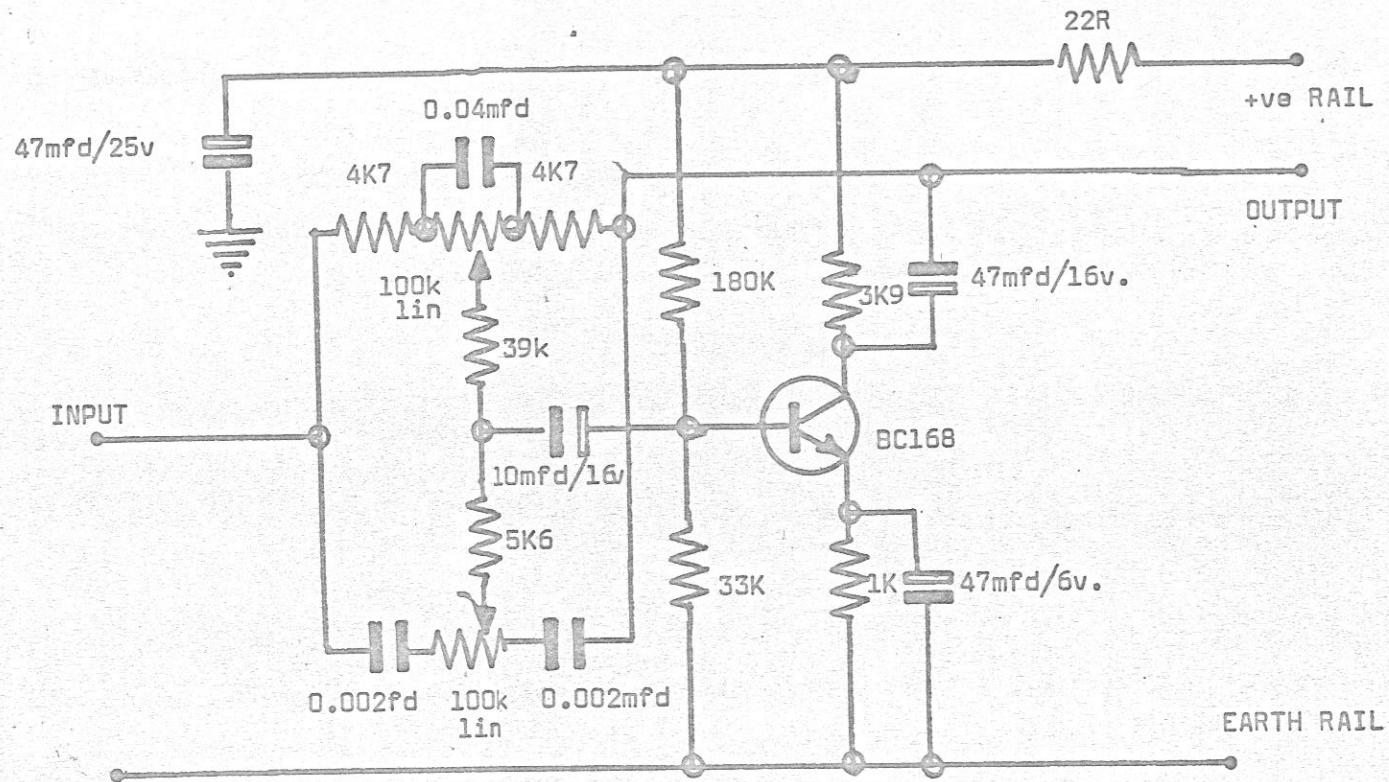
Allen and Heath Limited.

Pembroke House, Campsbourne Road.
London. N8, 7BR. Tel: 01-340-3291.

ECHO/FOLDBACK MODULE AMPLIFIER

Drwg No.; 1005

AJ. Bay
4.8.73



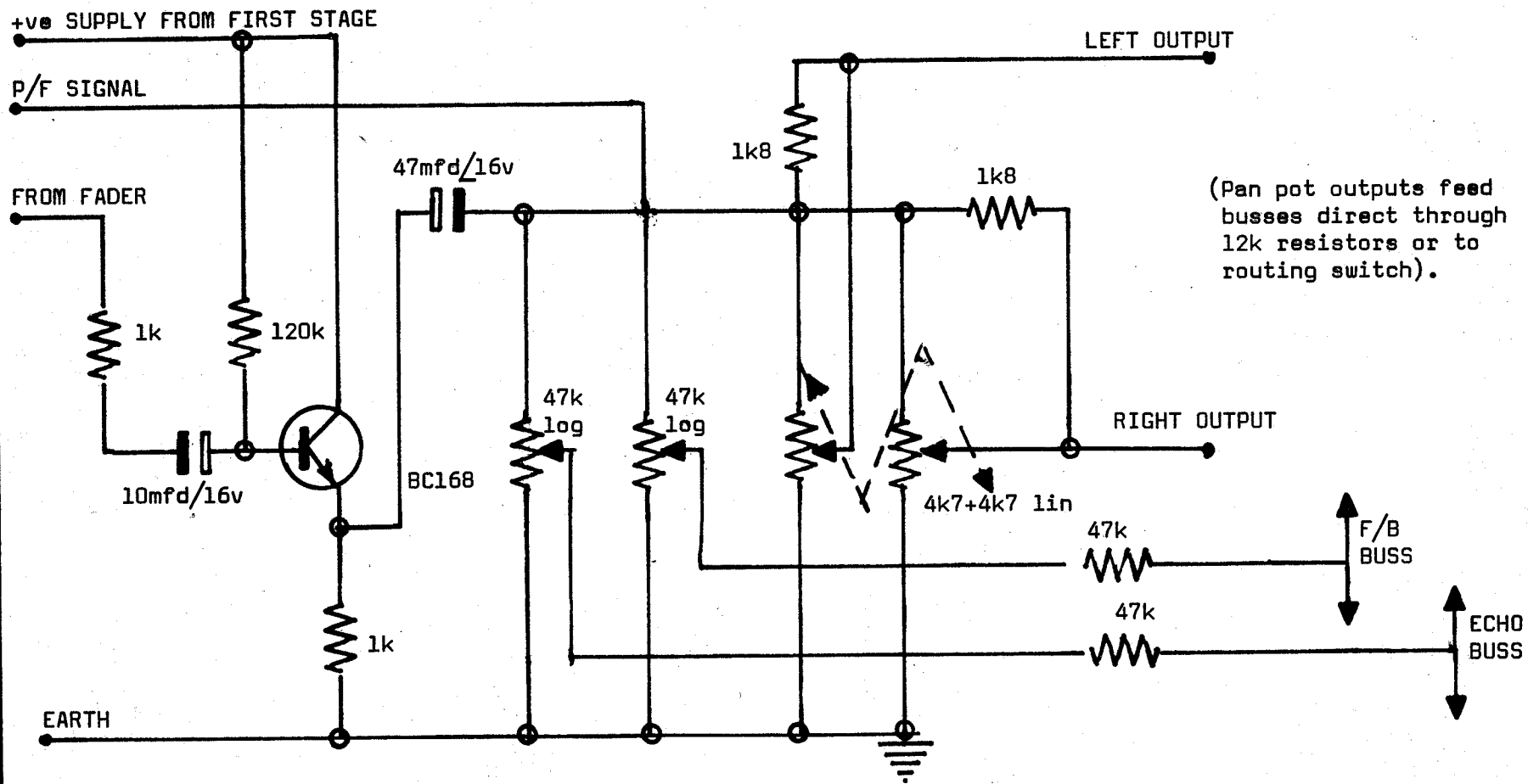
Allen and Heath Limited.

Pembroke House, Campsbourne Road.
London. N8, 7BR. Tel: 01-340-3291.

ECHO RETURN EQUALISER

Drwg No.; 1009

AJ Baye
4.8.73



Allen and Heath Limited.

Pembroke House, Campsbourne Road.
 London. N8, 7BR. Tel: 01-340-3291.

INPUT MODULE - ROUTING SECTION

Drwg. No.; 1003

HJ Baya
 4.8.73